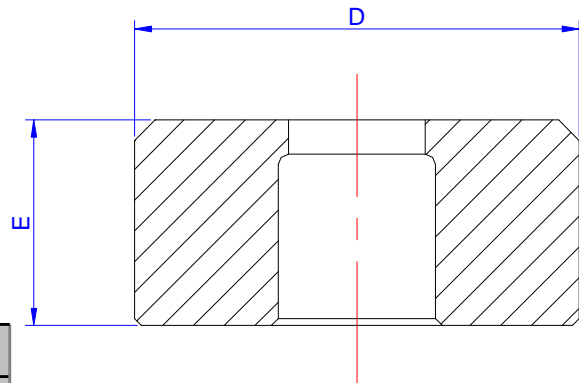
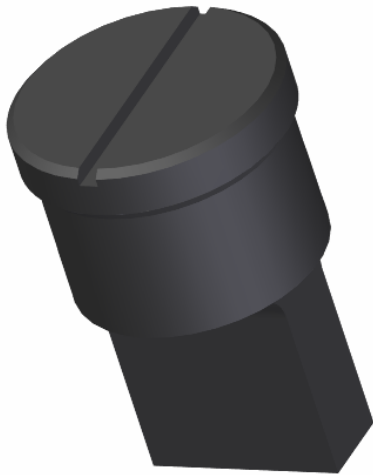
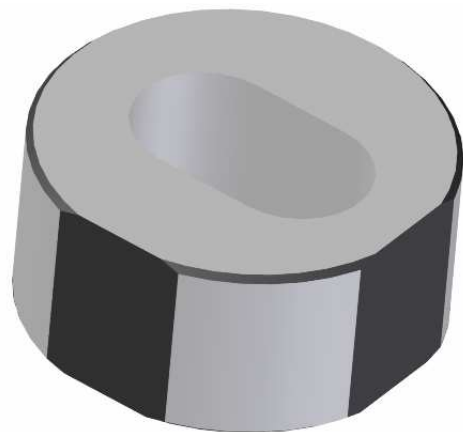


PUNZONI – Punches					
Cod.	Cod. KINGSLAND	A	B	C	Ø max
2035	9000	25	19	62	19
206	9001 – 9171 – 9184	35	31	62	30
2037	9004 – 9172 – 9185	45	38	62	38
2038	9007 - 9175 – 9188	63	57	63	57
2039	9006 – 9174 – 9187	45	40	76	39,5
2040	9009 – 9177 – 9190	63	57	80	57
2041	=====	92	85	70	85
2042	=====	117,5	110	70	110



MATRICI – Dies				
Cod.	Cod. KINGSLAND	D	E	Ø max
3035	9020	32	19	20
304G	9023 – 9213 – 9221	60	32	40
3037	9024 – 9214 – 9222	94	32	57
3038	=====	115	32	90
3039	=====	140	32	110



UTENSILI PER MACCHINE KINGSLAND – OMES HACO – Tools for Kingsland – Omes Haco machines

