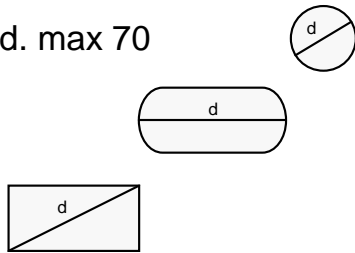




d. max 70



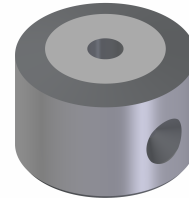
① →



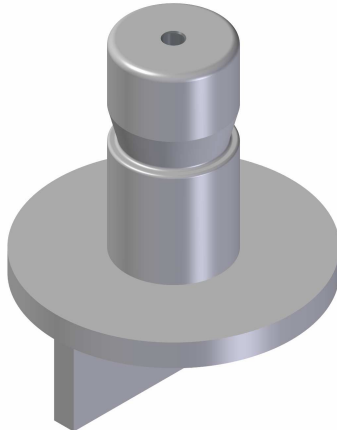
② →



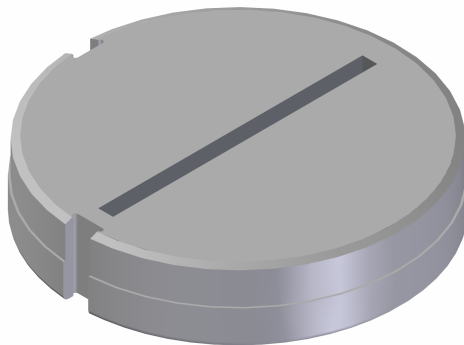
④ →



③ →



⑤ →



Ref.	Cod.	Descrizione / Description
1	2901	PUNZONE RIDOTTO FINO A Ø 8 Reduced punch Ø max 8
2	2381	PUNZONE < Ø 25 Punch < Ø 25
3	2382	PUNZONE < Ø 40 Punch < Ø 40
	2383	PUNZONE < Ø 50 Punch < Ø 50
	2384	PUNZONE < Ø 60 Punch < Ø 60
	2385	PUNZONE < Ø 70 Punch < Ø 70
	2386	PUNZONE < Ø 100 Punch < Ø 100
4	3210	MATRICE < Ø 15 Die < Ø 15
5	337	MATRICE < Ø 32 Die < Ø 32
	3371	MATRICE < Ø 70 Die < Ø 70
	3372	MATRICE < Ø 100 Die < Ø 100

**NOTE TECNICHE:**

- Punzoni in acciaio **HSS**
- Matrici antisfrido secondo richiesta
- Espulsore in uretano

**Su richiesta :**

- Punzoni in acciaio **SSK** per lavorazioni gravose
- Rivestimenti **TIN – TIALN**

**Technical notes:**

- **HSS** punches
- Anti-scrap dies as per request
- Urethan stripper

**On request :**

- Special **SSK** punches for heavy workings
- **TIN –TIALN** coatings

