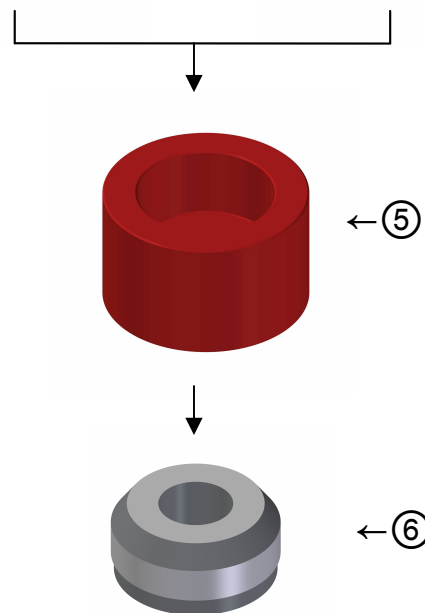


Ref.	Cod.	Descrizione / Description
1	290	PUNZONE RIDOTTO ØMAX 10 – solo tondi Reduced punch Ø max 10 – only round
2	291	PUNZONE RIDOTTO ØMAX 15 – solo tondi Reduced punch Ø max 15 – only round
3	001/65	PORTAPUNZONE PER PUNZONE Ø MAX 10 Punch holder for punch Ømax 10
4	001/66	PORTAPUNZONE PER PUNZONE Ø MAX 15 Punch holder for punch Ø max 15
5	661	ESTRATTORE IN URETANO Urethan stripper
6	342	MATRICE Die



NOTE TECNICHE:
- Punzoni in acciaio **HSS**

Su richiesta :
- Rivestimenti **TIN – TIALN**

Technical notes:
- **HSS** punches

On request :
- **TIN –TIALN** coatings

UTENSILI PER MACCHINE RAINER – Tools for Rainer machines

